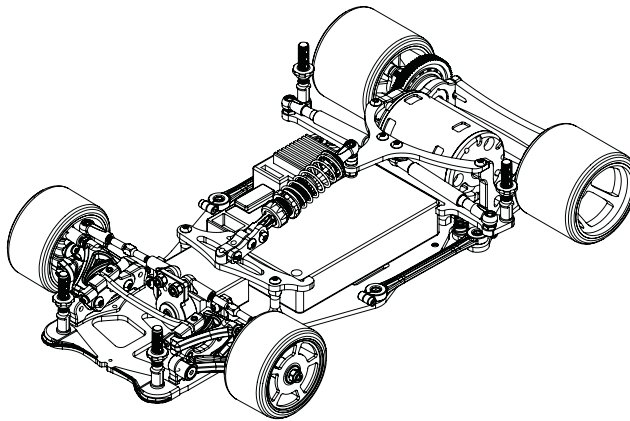


COMPETITION GRADE HIGH PERFORMANCE RADIO CONTROL RACING CAR CHASSIS KIT

LIGHTNING12

1/12 SCALE ELECTRIC COMPETITION CAR KIT



INSTRUCTIONS MANUAL

vbc racing



Thank you for purchasing VBC Racing product.

Things that we should remind you.

This VBC Racing kit is a high performance, racing grade car kit intended for experienced racers. The kit compose of VBC formulated composite materials, top quality full carbon fiber chassis and high grade 7075 material which will give you a competitive edge over the others.

Novice racer should seek advice from more experienced racer before assembly.

Always keep this instruction manual handy at all times for quick reference even after completing the assembly.

Before your assembly, sand the chassis edges.

Sand the chassis edges with #600 sand paper and apply CA glue to the edges and counter sink holes.

Need help or support.

If you need help or you would like to leave us a comment, please email to our support team: support@vbc-racing.com or visit our web site www.vbcrc.com



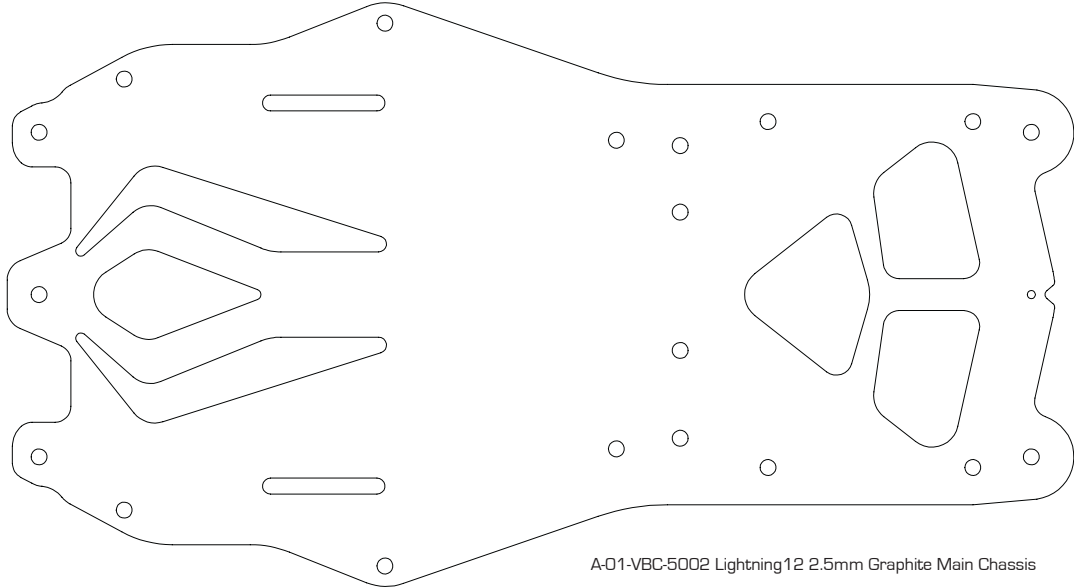
1

Graphite Edges Protection Procedure

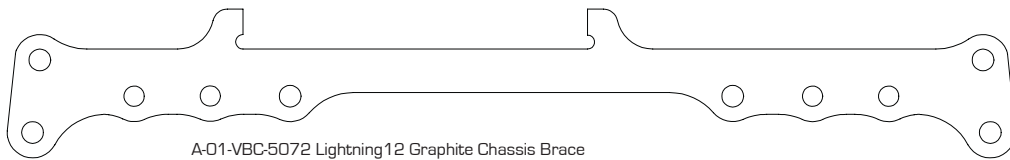


*Not included in this kit

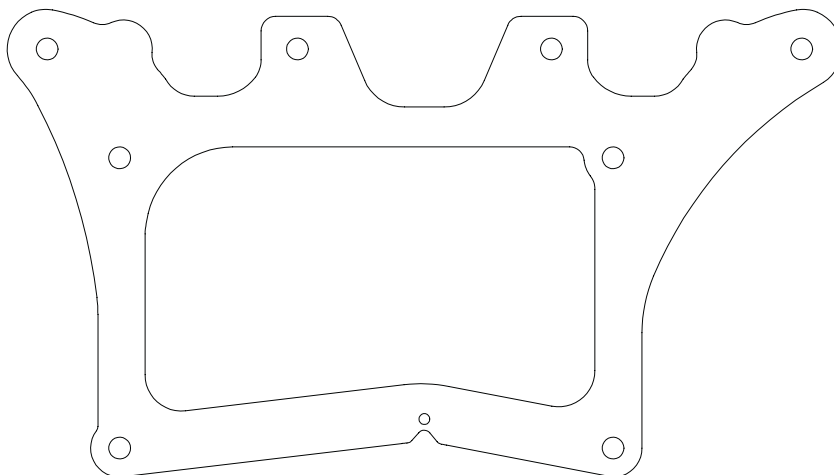
Sand the chassis edges with #600 sand paper(not included) and apply CA glue(not included) to the edges of the chassis.



A-01-VBC-5002 Lightning12 2.5mm Graphite Main Chassis



A-01-VBC-5072 Lightning12 Graphite Chassis Brace

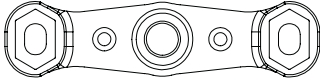


A-01-VBC-5083 Lightning12 Graphite Lower Pod Plate

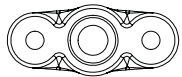
Sand the below graphite edges with #600 sand paper and apply CA glue to the edges.

2

Pivot Brace Assembly Part 1



Pivot Brace D-05-VBC-0101 x 1



Pivot Brace Cover D-05-VBC-0101 x 1



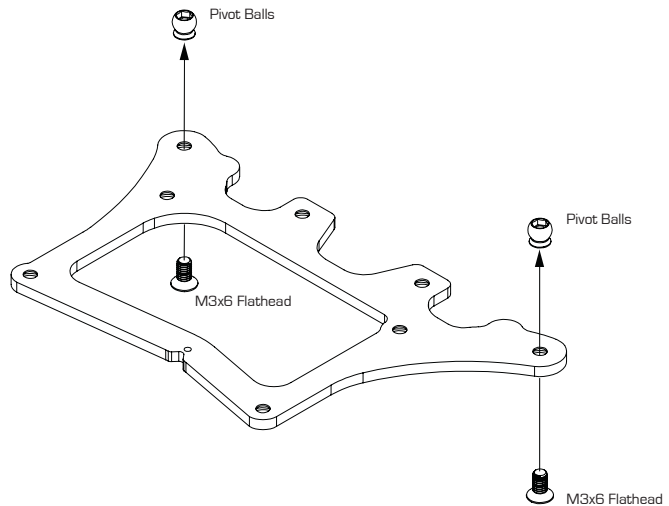
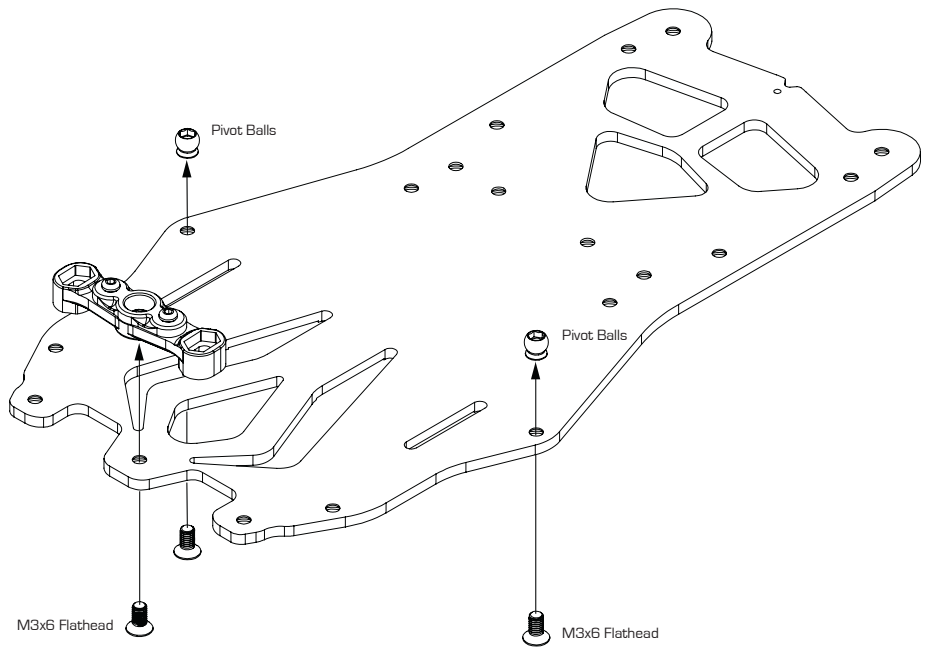
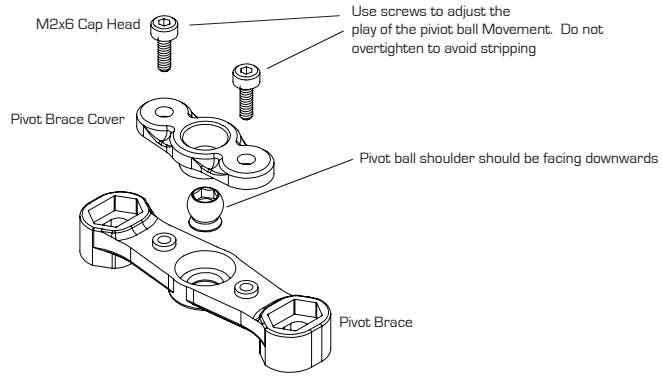
M2x6 Cap Head C-02-SC-R2.0x6 x 2



Pivot Balls A-03-VBC-1027 x 5




M3x6 Flathead C-02-SC-F0306 x 5



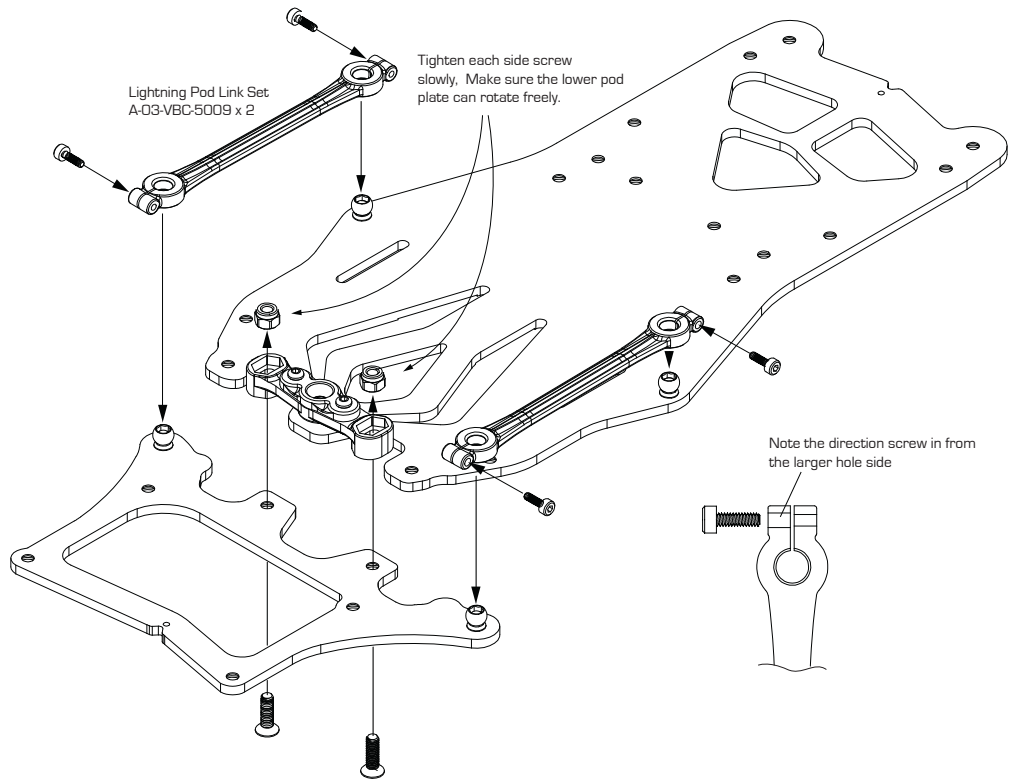
2

Pivot Brace Assembly Part 2

 M2x6 Cap Head C-02-SC-R2.0x6 x 4

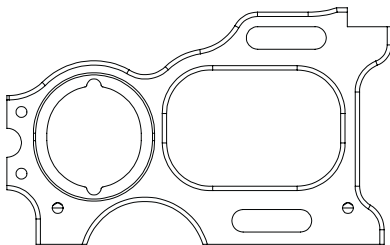
 M3 Locknut C-02-SC-NN03 x 2

 M3x10 Flathead C-02-SC-F0310 x 2

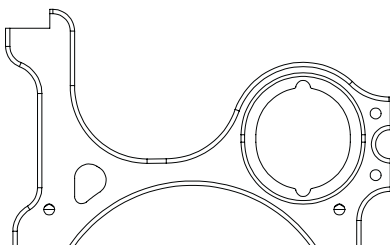


3

Rear Bulkhead Assembly Part 1



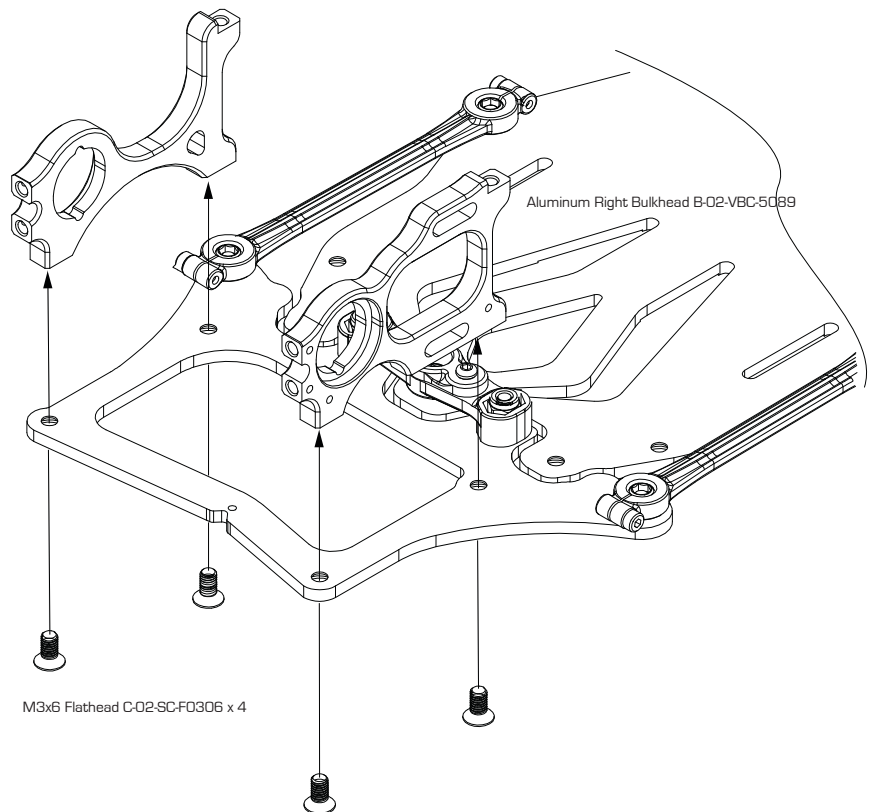
Aluminum Right Bulkhead B-02-VBC-5089 x 1



Aluminum Left Bulkhead B-02-VBC-5090 x 1

 M3x6 Flathead C-02-SC-F0306 x 4

Aluminum Left Bulkhead B-02-VBC-5090



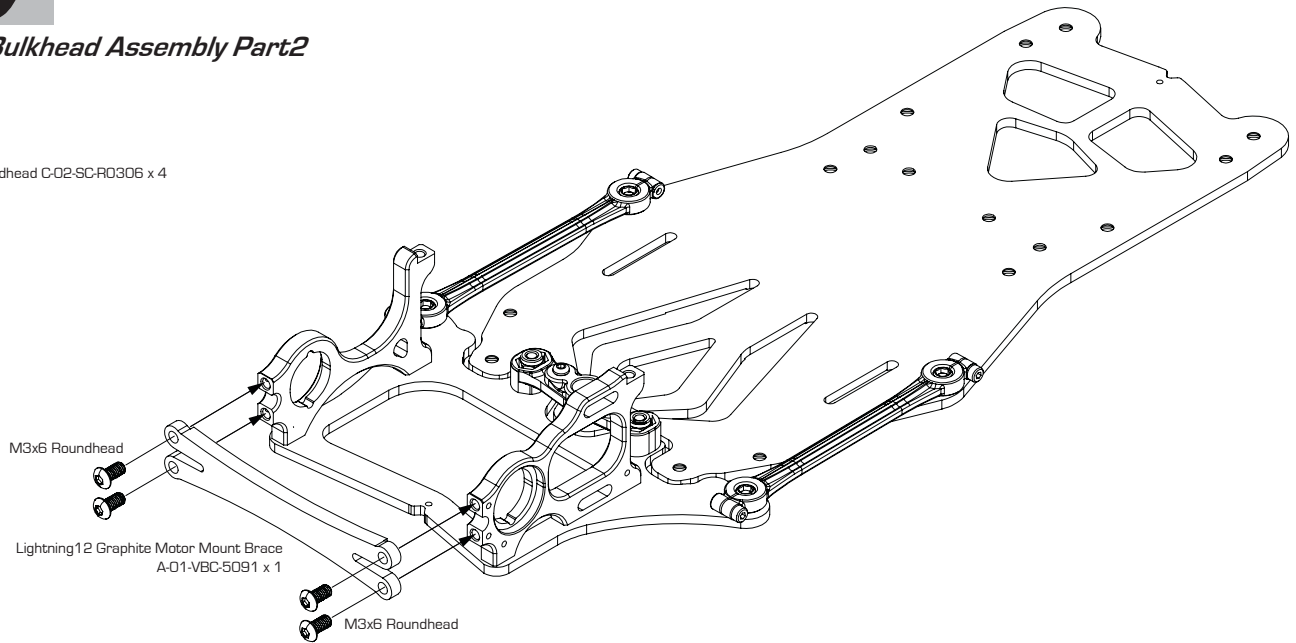
M3x6 Flathead C-02-SC-F0306 x 4

3

Rear Bulkhead Assembly Part2



M3x6 Roundhead C-02-SC-R0306 x 4

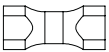


4

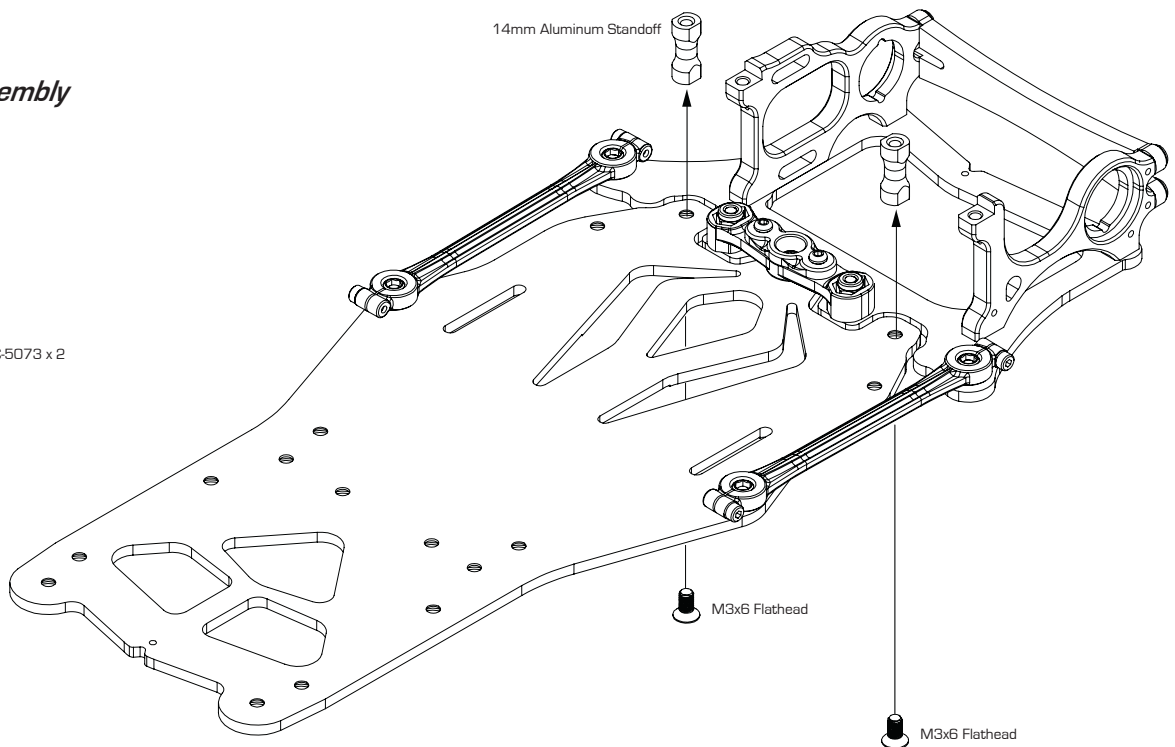
Chassis Brace Assembly



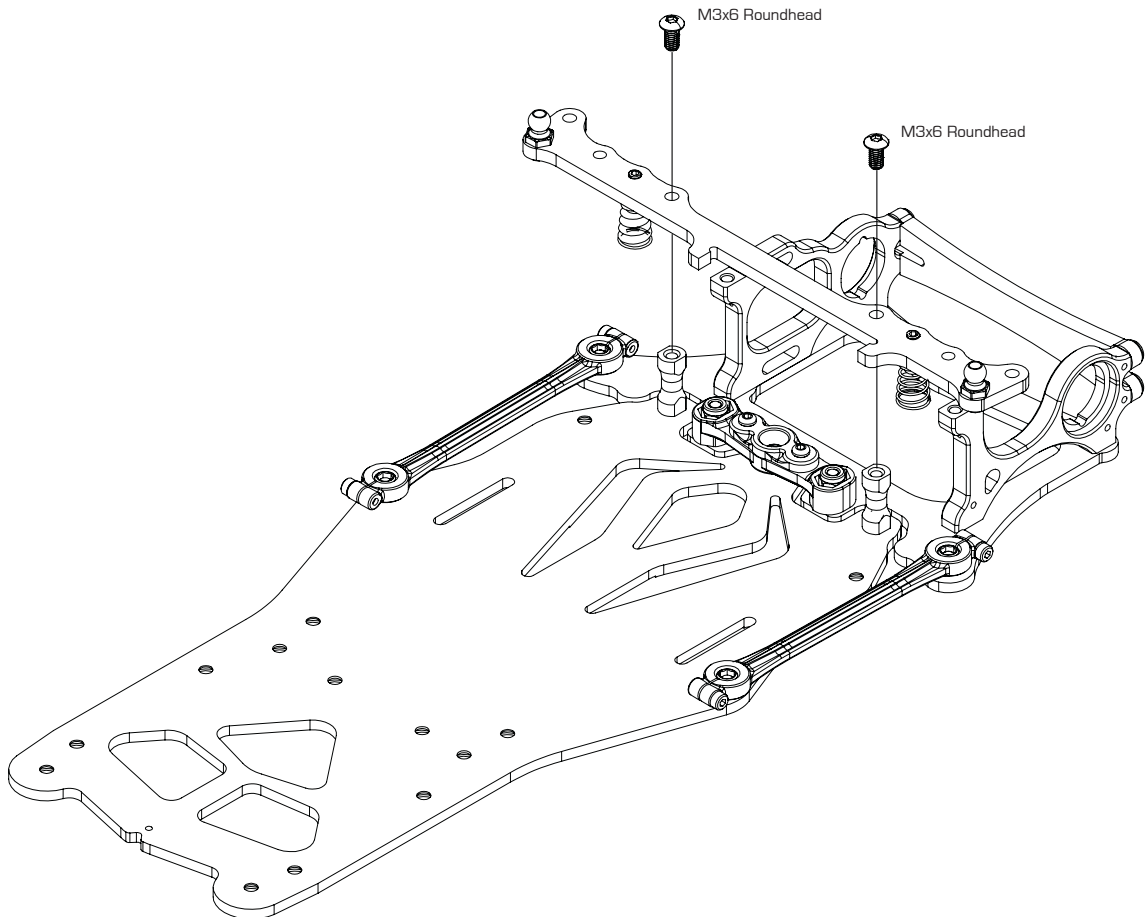
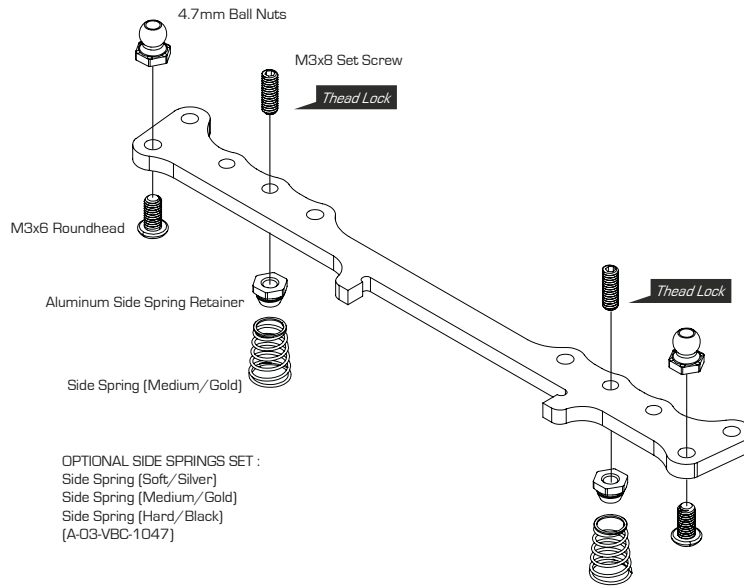
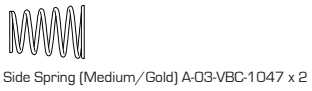
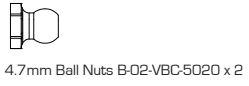
M3x6 Flathead C-02-SC-F0306 x 2



14mm Aluminum Standoff B-02-VBC-5073 x 2



4



5

Side Damper Tube Assembly



Ball Connector 4.7x17mm A-02-VBC-5092 x 1



4.7mm Ball Nuts B-02-VBC-5020 x 2



T2 7075 Spacer B-02-VBC-0019-20 x 2



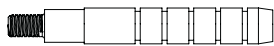
T1 7075 Spacer B-02-VBC-0019-10 x 1



M3x6 Roundhead C-02-SC-R0306 x 4



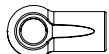
M3 Locknut C-02-SC-NN03 x 1



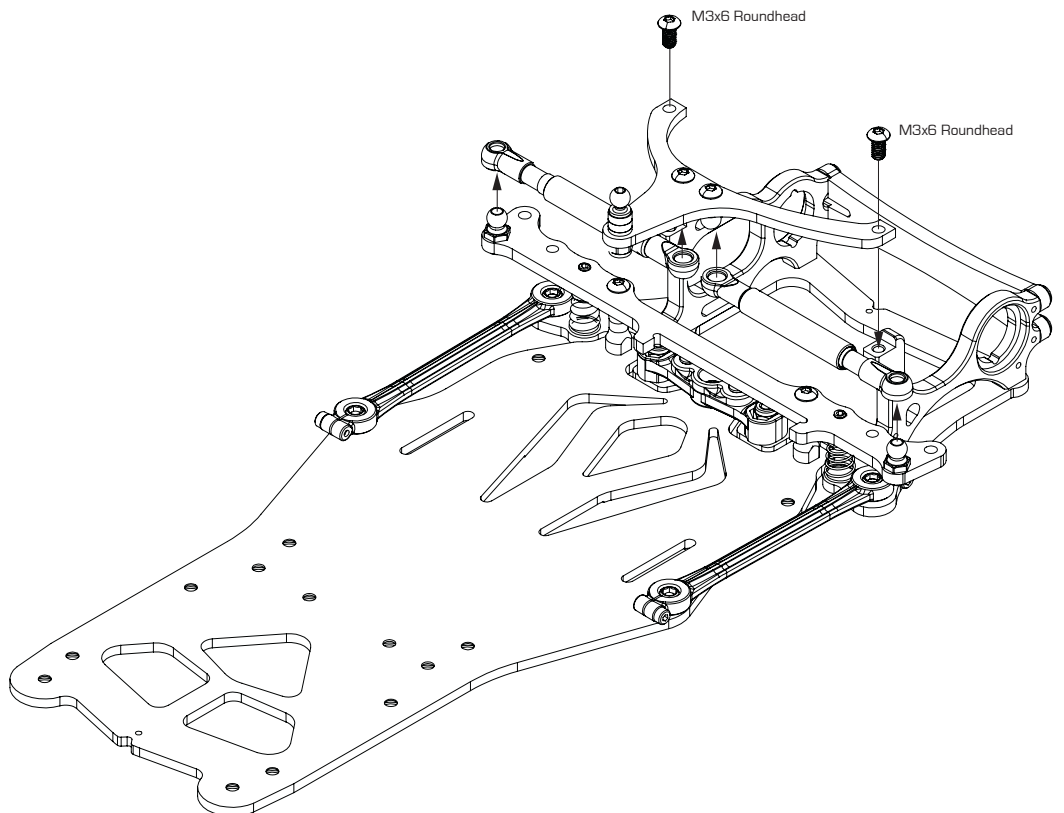
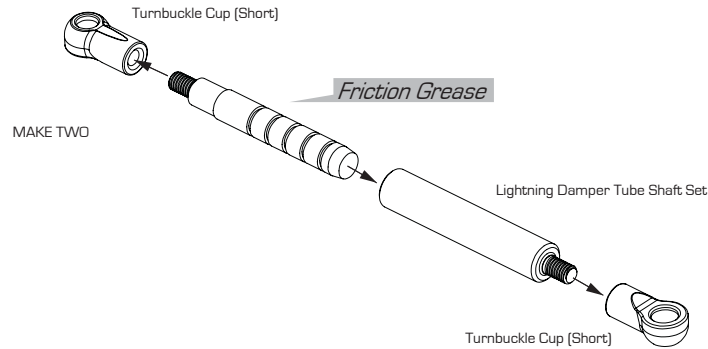
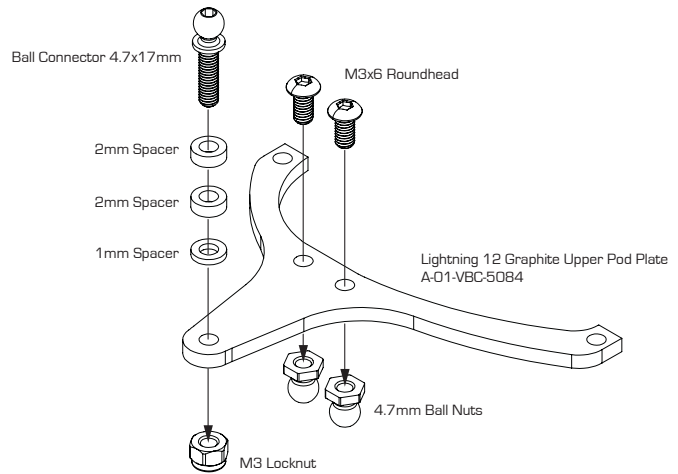
Lightning Damper Tube Shaft D-05-VBC-0103 x 2



Lightning Damper Tube D-05-VBC-0103 x 2



Turnnuckle Cup (Short) A-03-VBC-5021 x 4



6

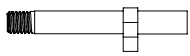
Front Suspension Assembly



M2.5x4 Roundhead C-02-SC-R2504 x 4



Ball Connector 4.7x12mm A-02-VBC-5015 x 2



Lightning12 Front Axle B-02-VBC-5060 x 2



Pivot Ball B-02-VBC-5068 x 4



M3x15mm Turnbuckle, Black A-02-VBC-5053 x 2



Lightning12 Front Upper Arm Eyelet A-02-VBC-5092 x 2



M3x10 Roundhead C-02-SC-R0310 x 4



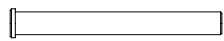
M3x12 Flathead C-02-SC-F0312 x 4



Lightning12 Front Upper Arm Spacer, 1.5mm A-01-VBC-5048 x 2



M3.3x0.4 Kingpin Shim C-02-VBC-5069 x 12



Lightning12 Kingpin C-02-VBC-5044 x 2



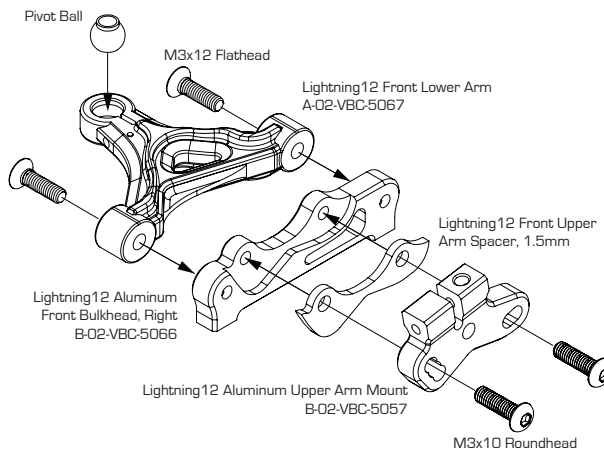
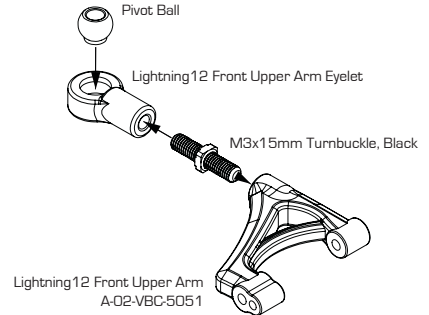
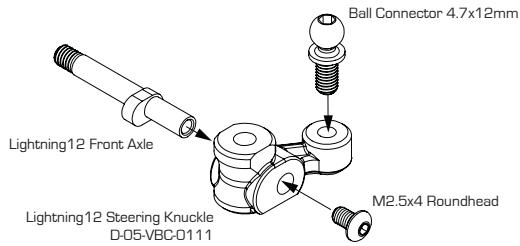
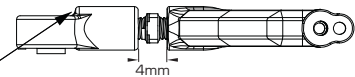
Front Spring [Medium/Gold] C-02-VBC-5042 x 2



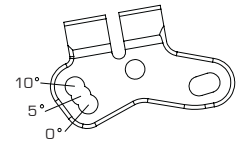
M2x8 Caphead C-02-SC-R2.0x8 x 2

Make Two (Left And Right Side)

Please note the direction of the Upper Arm Eyelet as they are offset.

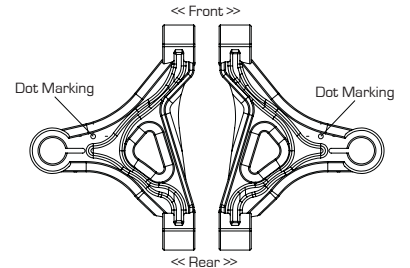


Upper Arm Mount Active Caster Setup

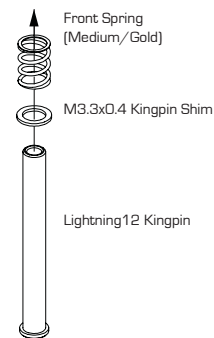


Note : 10° Is The Standard Setup

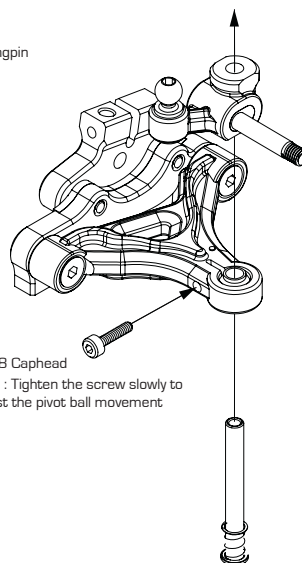
Note : Lower arm in the same direction, dot marking should be facing up



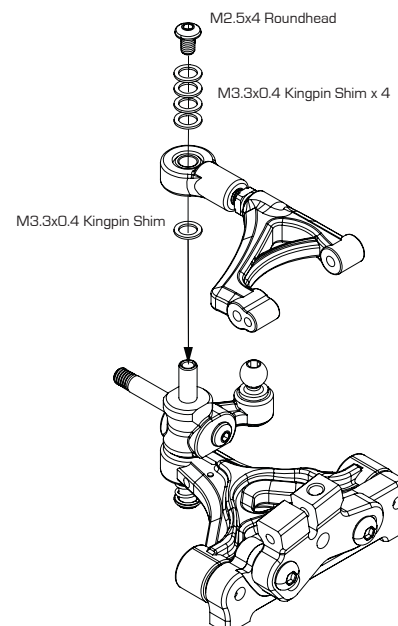
OPTIONAL FRONT UPPER ARM SPACER SET :
0.5mm / 1.0mm Adjust Spacer
(D-05-VBC-0109)



OPTIONAL FRONT SPRINGS :
Front Spring [Soft / Silver] C-02-VBC-5041
Front Spring [Hard / Black] C-02-VBC-5043

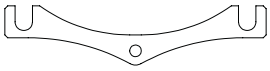


M2x8 Caphead
Note : Tighten the screw slowly to adjust the pivot ball movement



6

Front Suspension Assembly



Lightning12 Height Adjust Spacer, 1.5mm
A-01-VBC-5045 x 2



M3x8 Flat Head Screw C-02-SC-F0308 x 4



M2x4 Roundhead Screw C-02-SC-R0204 x 2



2mm Upper Hinge Pin C-02-VBC-5054 x 2



Caster Spacer, 0.8mm D-05-VBC-0110 x 2



Caster Spacer, 1.2mm D-05-VBC-0110 x 2

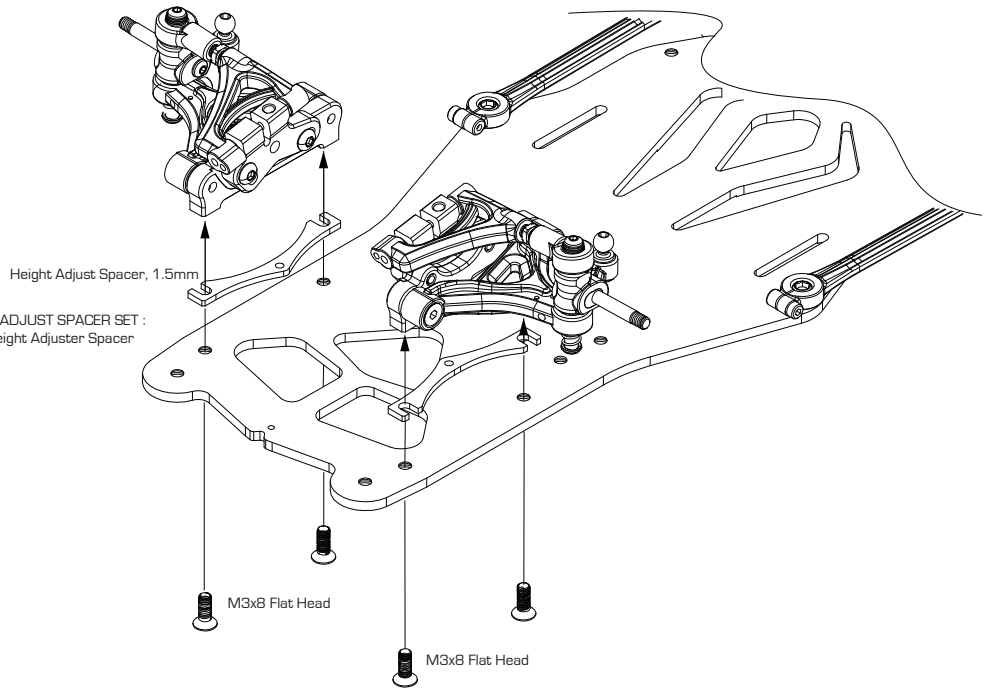


M3x2mm Set Screw C-02-SC-SS-0302 x 2



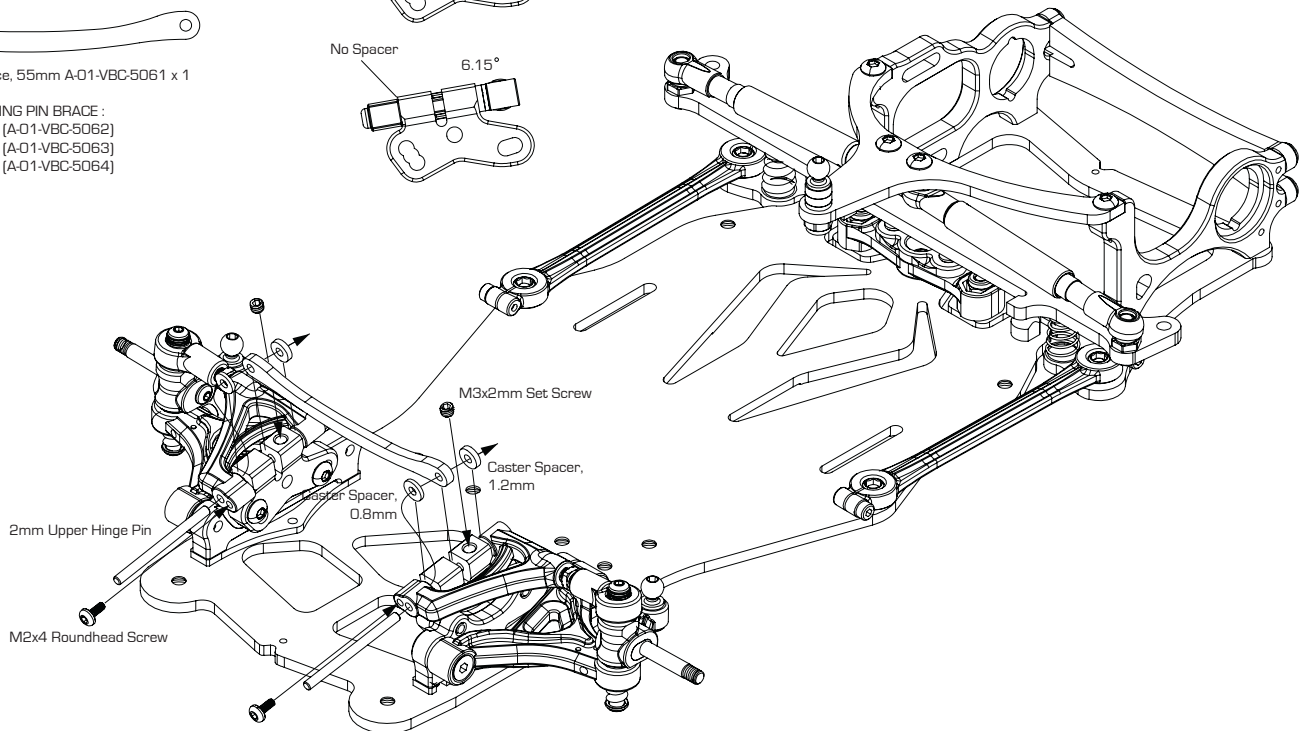
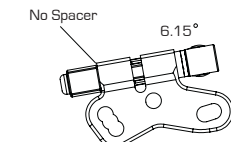
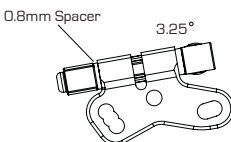
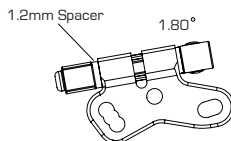
Graphite Hinge Pin Brace, 55mm A-01-VBC-5061 x 1

OPTIONAL GRAPHITE HINGE PIN BRACE :
56mm Hinge Pin Brace (A-01-VBC-5062)
57mm Hinge Pin Brace (A-01-VBC-5063)
58mm Hinge Pin Brace (A-01-VBC-5064)



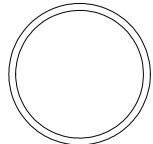
OPTIONAL HEIGHT ADJUST SPACER SET :
0.5mm/ 1.0mm Height Adjuster Spacer
(D-05-VBC-0108)

Caster Adjustments



7

Ball Differential Assembly



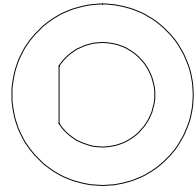
Differential Seal O-ring B-02-VBC-5082 x 2



Ball Bearing Flanged 3/8"x1/4"
C-02-BB-3814F x 4



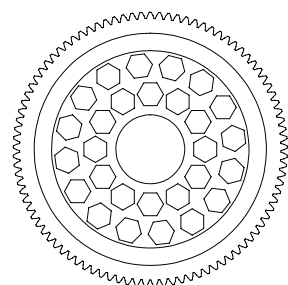
Ball Bearing 3/8"x1/4" C-02-BB-3814 x 1



Differential Drive Ring B-02-VBC-1001 x 2



1/8" Differential Balls C-02-DB-0801 x 16



64 Pitch 93T Spur Gear C-02-VBC-5077 x 1



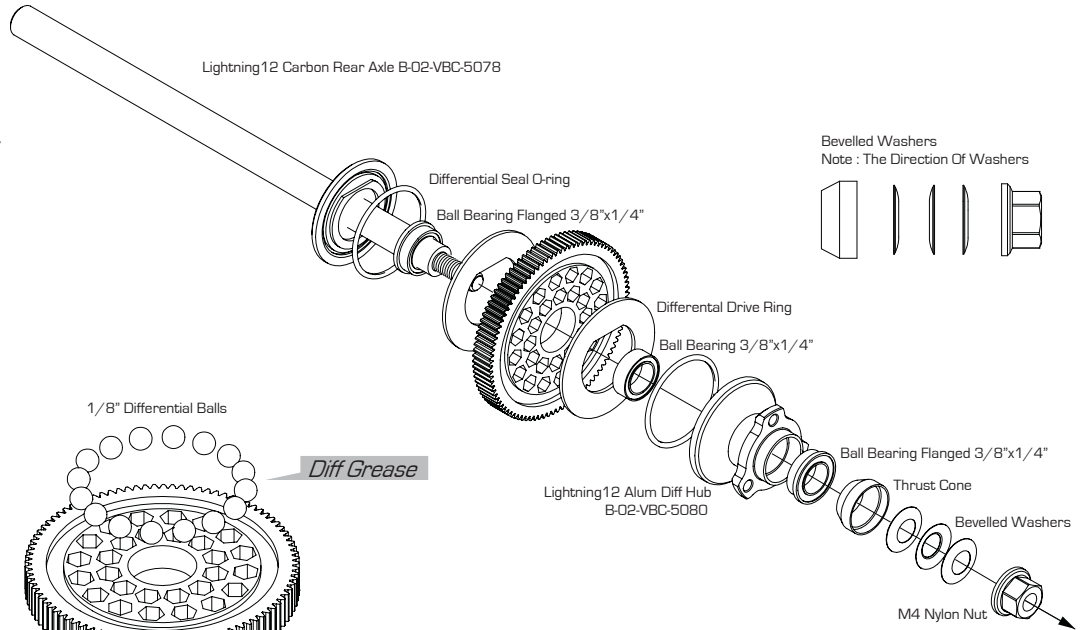
Thrust Cone B-02-VBC-5081 x 1



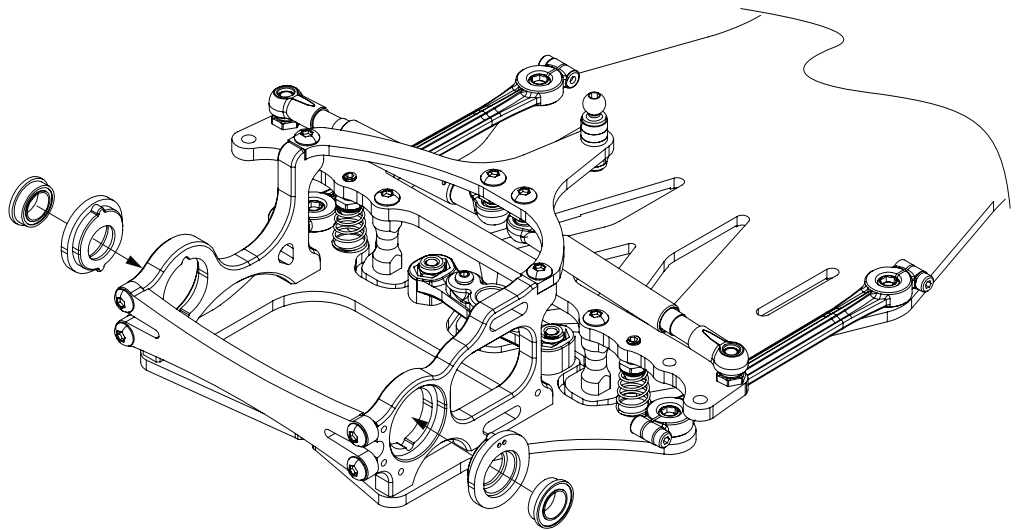
Bevelled Washer C-02-VBC-5076 x 3



M4 Nylon Nuts A-02-VBC-5075 x 1

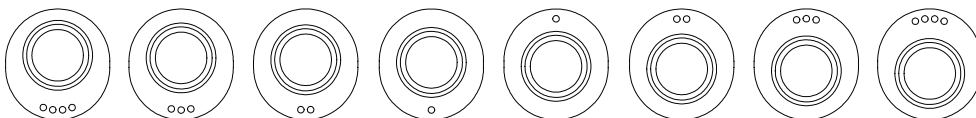


Bevelled Washers
Note : The Direction Of Washers



Lightning 12 Axle Height Adjuster
D-05-VBC-0114

High Low

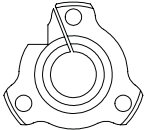


7

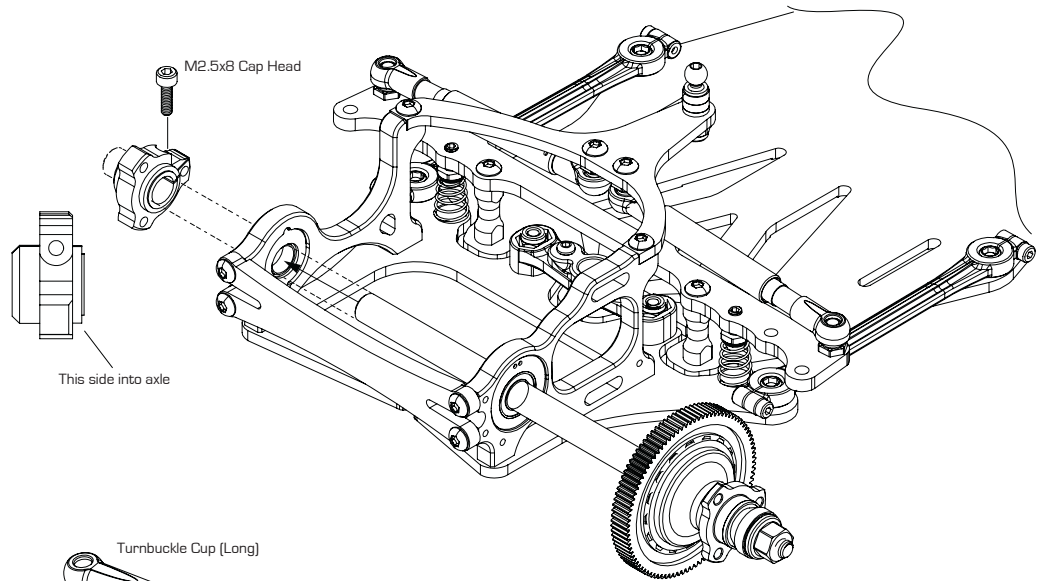
Ball Differential Assembly



M2.5x8 Cap Head Screw C-02-SC-R2508 x 1

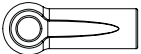


Aluminum Wheel Hub, Left
B-02-VBC-5079 x 1

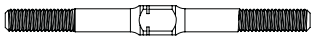


8

Servo And Top Plate Assembly



Turnbuckle Cup (Long) A-03-VBC-5016 x 4



42mm Turnbuckle, Black B-02-VBC-5014 x 2



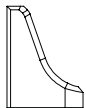
M3x6x0.5mm Spacer B-02-VBC-5093 x 4



M3x8 Roundhead C-02-SC-R0308 x 4



Servo Spacer B-02-VBC-5013 x 2



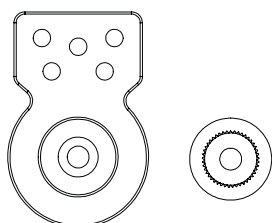
Alum Servo Mount B-02-VBC-5012 x 2



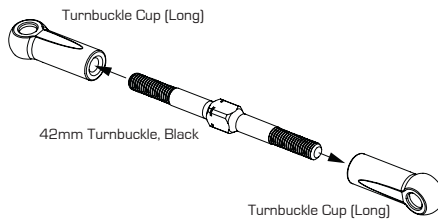
Ball Connector 4.7x12mm A-02-VBC-5015 x 2



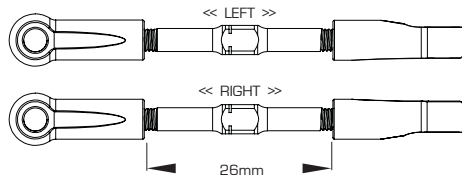
M3 Locknut C-02-SC-NN03 x 2



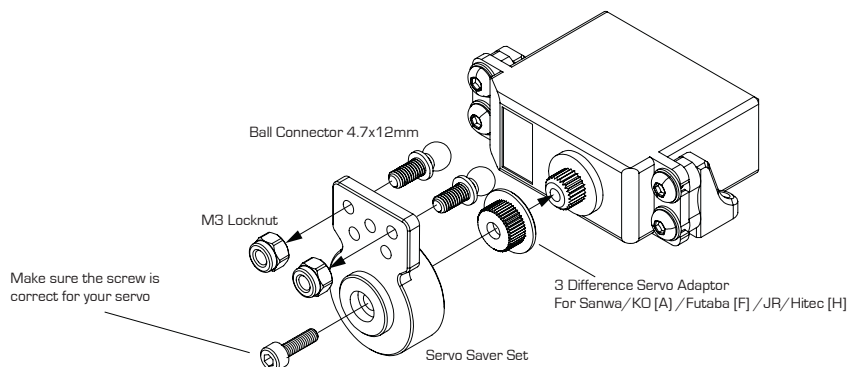
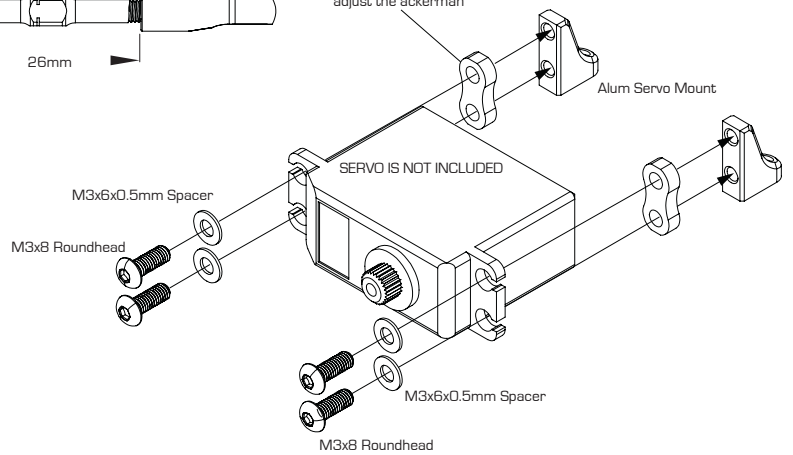
Servo Saver Set B-03-VBC-5017 x 1



Optional : Tie Rod Wrench Set D-05-VBC-0048 (not included)



1mm Servo Spacer
Note : Use this Spacer To adjust the ackerman

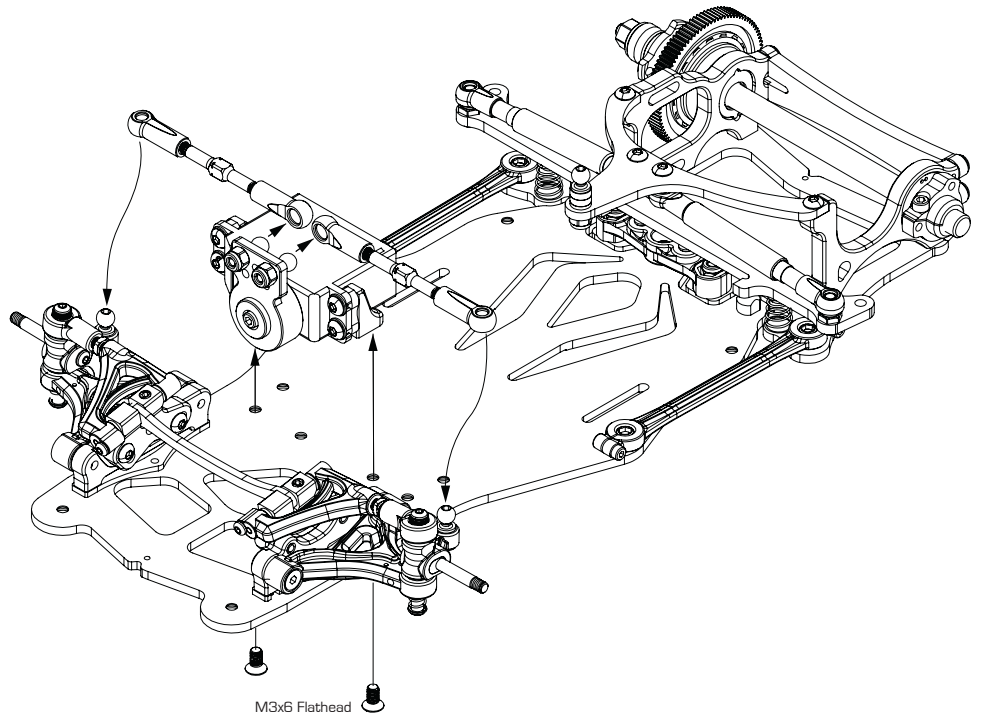
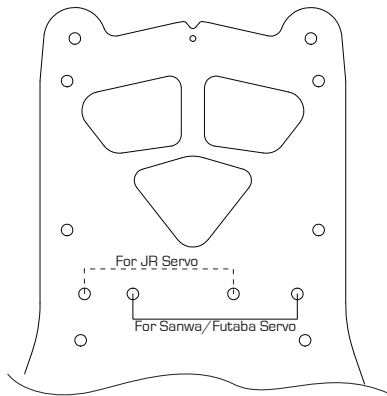


Make sure the screw is correct for your servo

3 Difference Servo Adaptor For Sanwa/KO [A] / Futaba [F] / JR / Hitec [H]

8

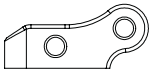
Servo And Top Plate Assembly



M3x6 Flathead C-02-SC-F0306 x 6



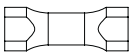
M3x6 Roundhead C-02-SC-R0306 x 4



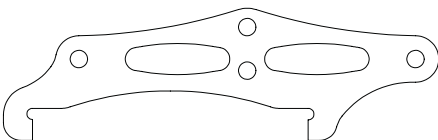
Aluminum Shock Mount Brace A-01-VBC-5003 x 1



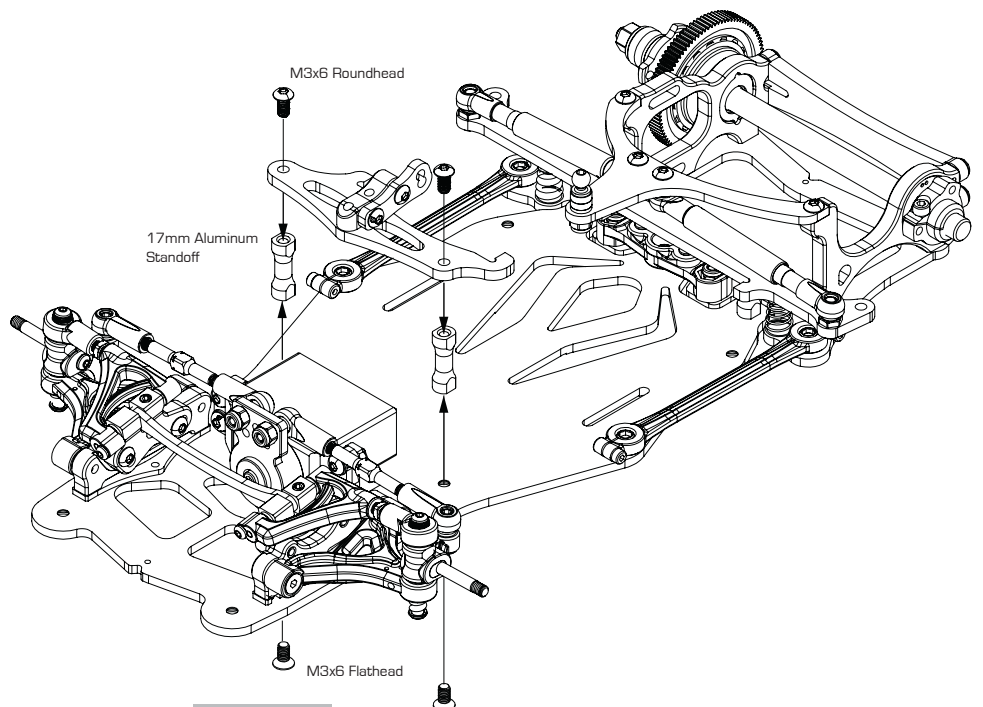
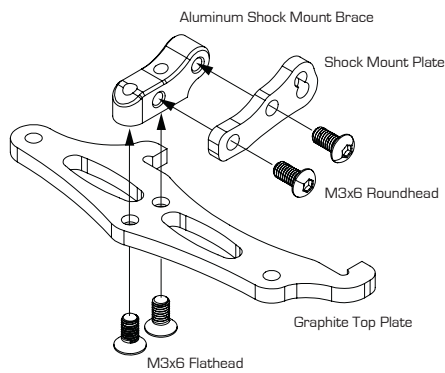
Shock Mount Plate A-01-VBC-5004 x 1



17mm Aluminum Standoff A-01-VBC-5005 x 2

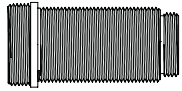


Graphite Top Plate A-01-VBC-5006 x 1

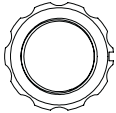


9

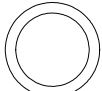
Assemble TBX Shock



TBX Shock Body B-02-VBC-5023 x 1



TBX Spring Adjuster B-02-VBC-5024 x 1



M1.5x10 O-ring C-02-VBC-5035 x 1



TBX Shock Bottom Cap B-02-VBC-5025 x 1



Shock Bottom O-ring Guard A-02-VBC-5030 x 1



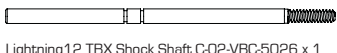
M2x6mm O-ring C-02-VBC-5037 x 2



TBX Piston [2 Holes] A-02-VBC-5027 x 1



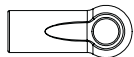
TBX Piston [3 Holes] A-02-VBC-5028 x 1



Lightning12 TBX Shock Shaft C-02-VBC-5026 x 1



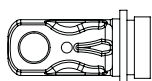
M1.5 E-Clip C-02-VBC-5038 x 2



TBX Shock Ball End B-02-VBC-5033



TBX Shock O-ring Guard A-02-VBC-5029

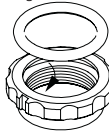


TBX Shock Thru Cap A-02-VBC-5031 x 1



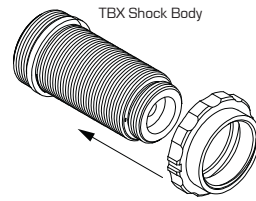
M1.0x7.5 O-ring C-02-VBC-5036 x 2

M1.5x10 O-ring

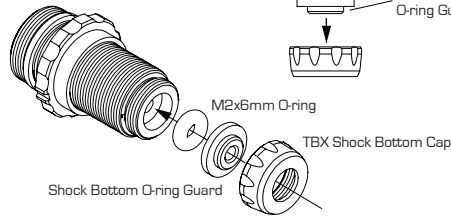


TBX Spring Adjuster

Insert Sealer O-Ring inside the Spring Adjuster Groove



TBX Shock Body



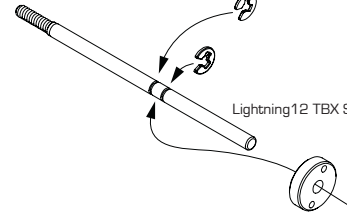
Note The Direction Of O-ring Guard On Top

M2x6mm O-ring

TBX Shock Bottom Cap

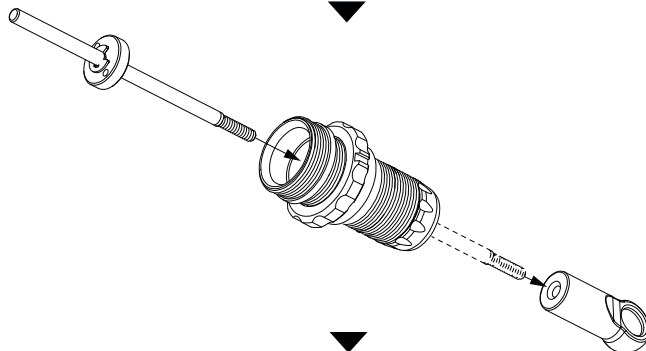
Shock Bottom O-ring Guard

M1.5 E-Clip



Lightning12 TBX Shock Shaft

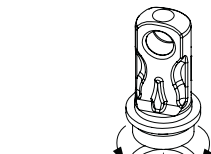
TBX Piston [2 Holes]



TBX Shock Ball End



TBX Shock Thru Cap



M1.0x7.5 O-ring

Note The Direction Of O-ring Guard On Top

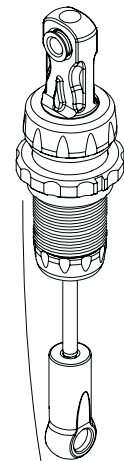
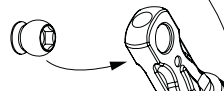
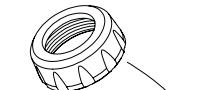
M2x6mm O-ring

TBX Shock O-ring Guard

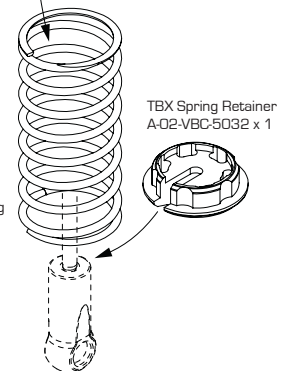
Fill supplied shock oil and remove air by moving the piston up and down until air bubbles disappear



5mm Pivot Ball A-03-VBC-1027 x 1



Lightning12 TBX Spring [Gold/Medium] C-02-VBC-5034



TBX Spring Retainer A-02-VBC-5032 x 1

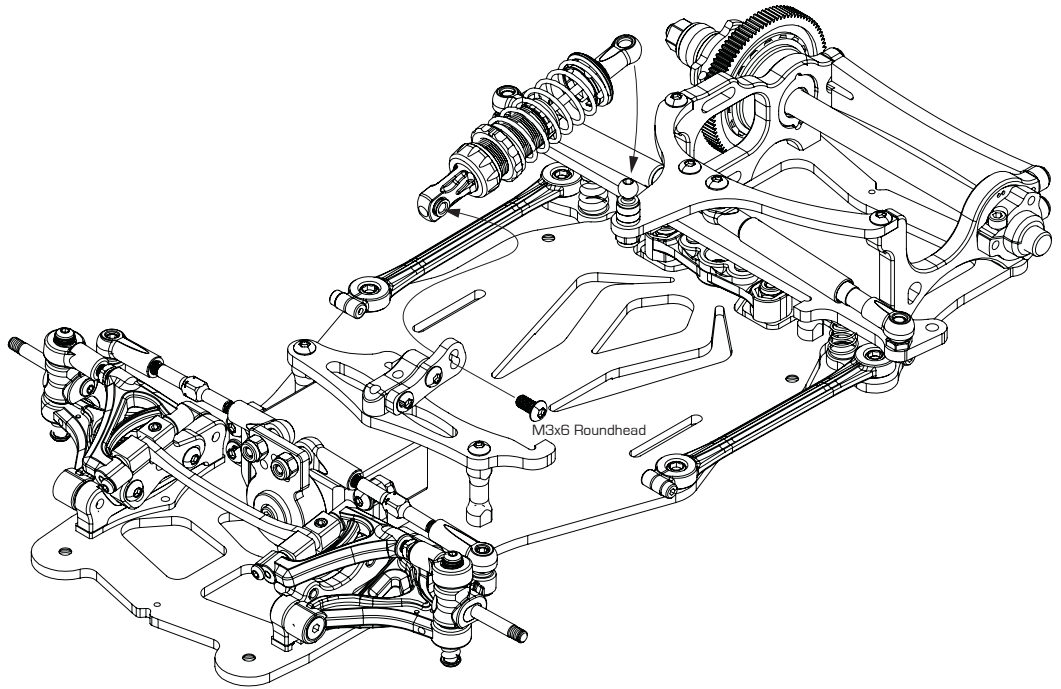
OPTIONAL LIGHTNING12 TBX SPRINGS:
C-02-VBC-5039 (Med. Soft/Silver)
C-02-VBC-5040 (Med. Hard/Black)

9

TBX Shock Assembly



M3x6 Roundhead C-02-SC-R0306 x 1



10

Body Posts Assembly



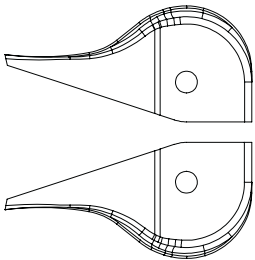
M3x6 Roundhead C-02-SC-R0306 x 2



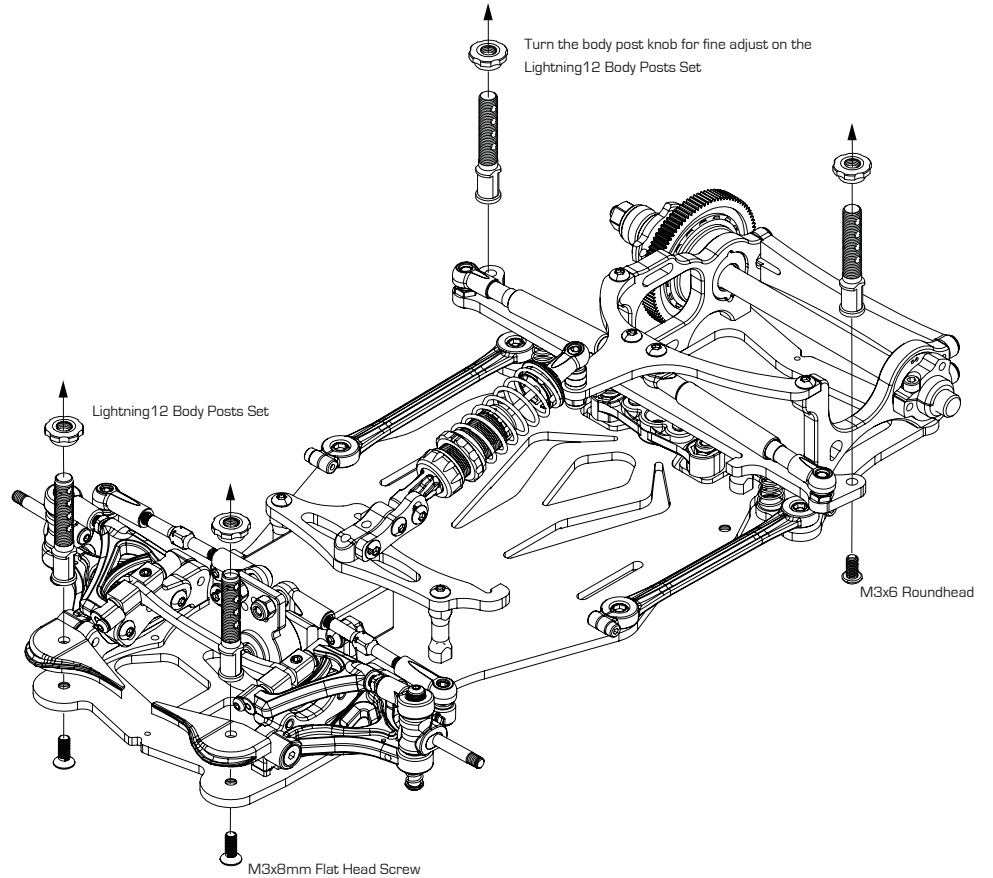
M3x8mm Flat Head Screw C-02-SC-F0308 x 2



Lightning 12 Body Posts Set D-05-VBC-0102 x 4

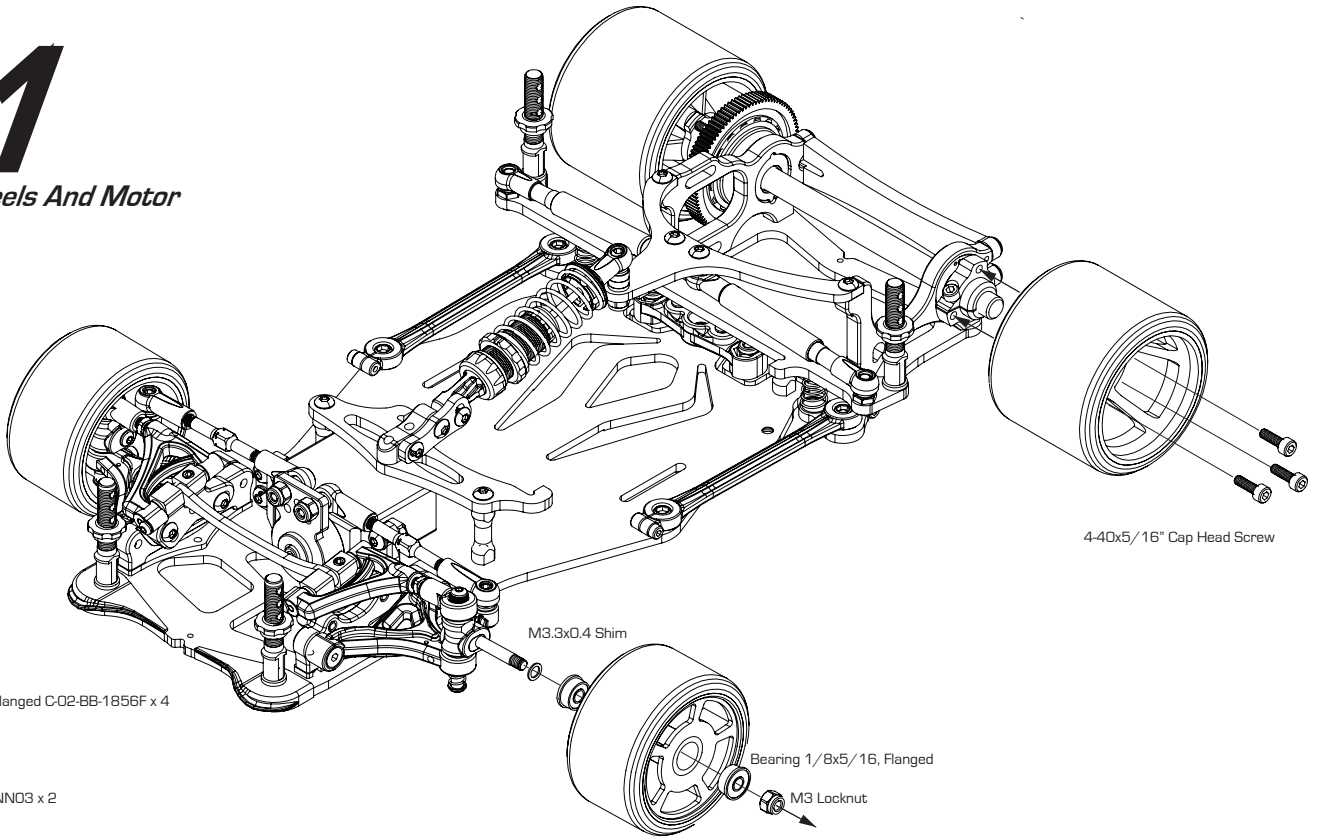


Lightning 12 Plastic Front Bumper D-05-VBC-0112 x 1



11

Install Wheels And Motor



4-40x5/16" Cap Head Screw



Bearing 1/8x5/16, Flanged C-02-BB-1856F x 4



M3 Locknut C-02-SC-NN03 x 2



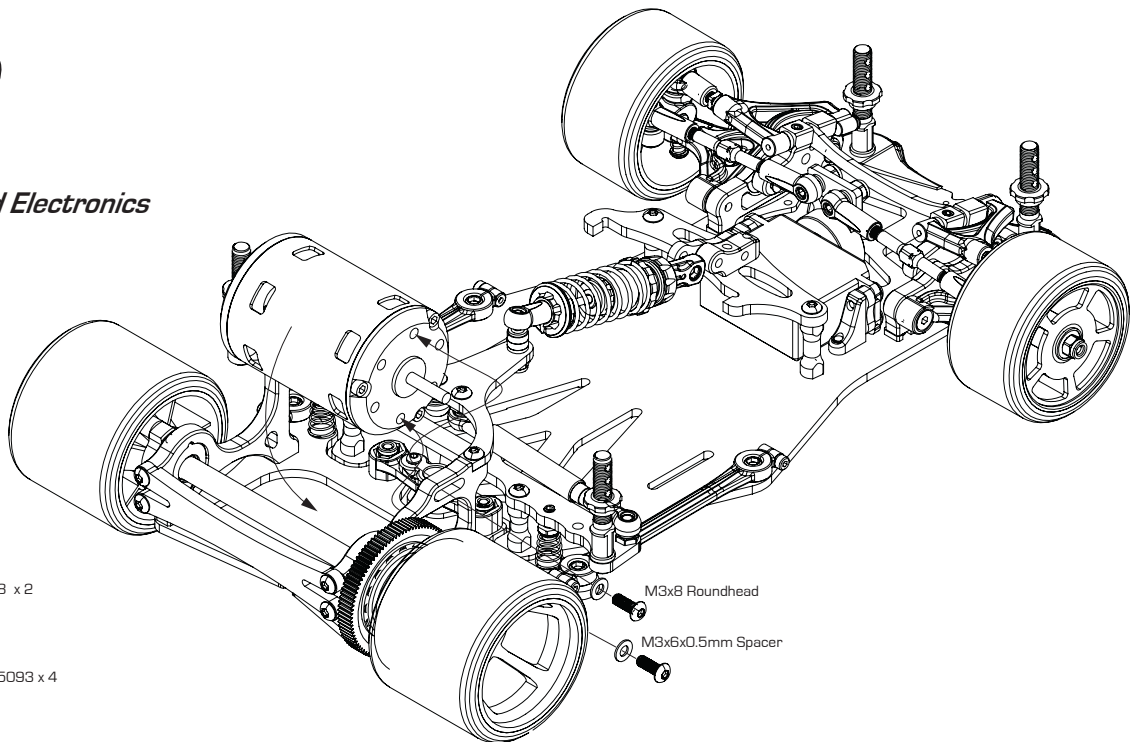
M3.3x0.4 Kingpin Shim C-02-VBC-5069 x 2



4-40x5/16" Cap Head Screw x 6

12

Install Motor And Electronics



M3x8 Roundhead C-02-SC-R0308 x 2



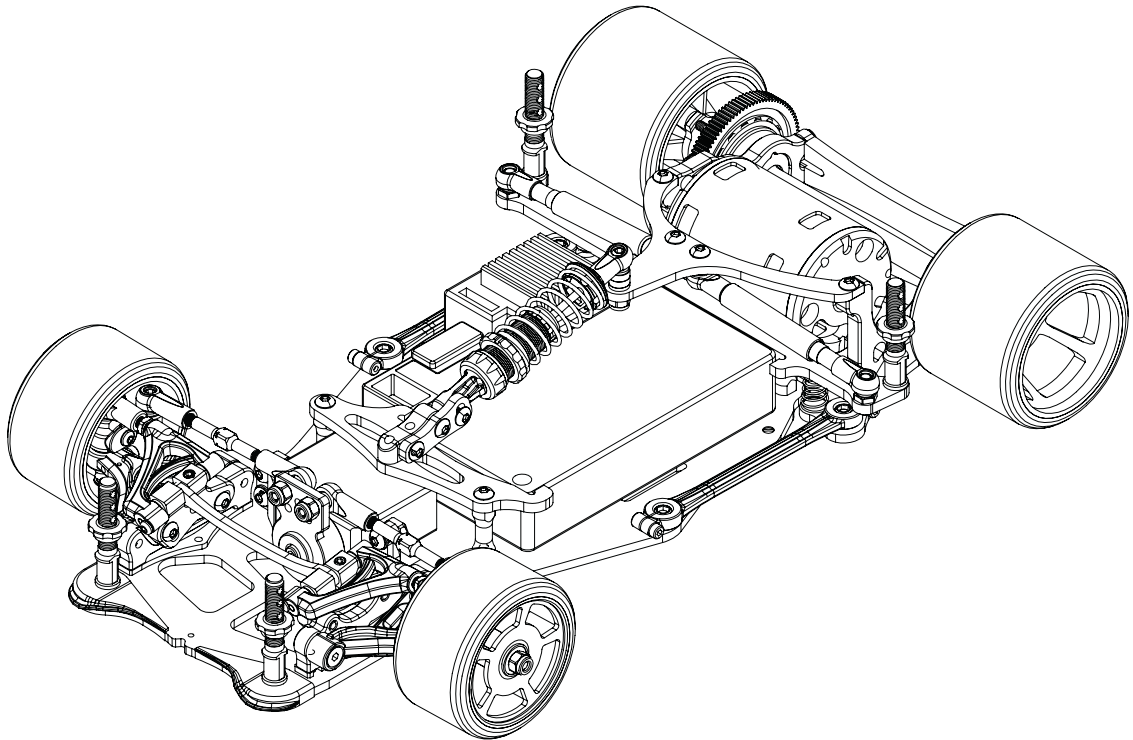
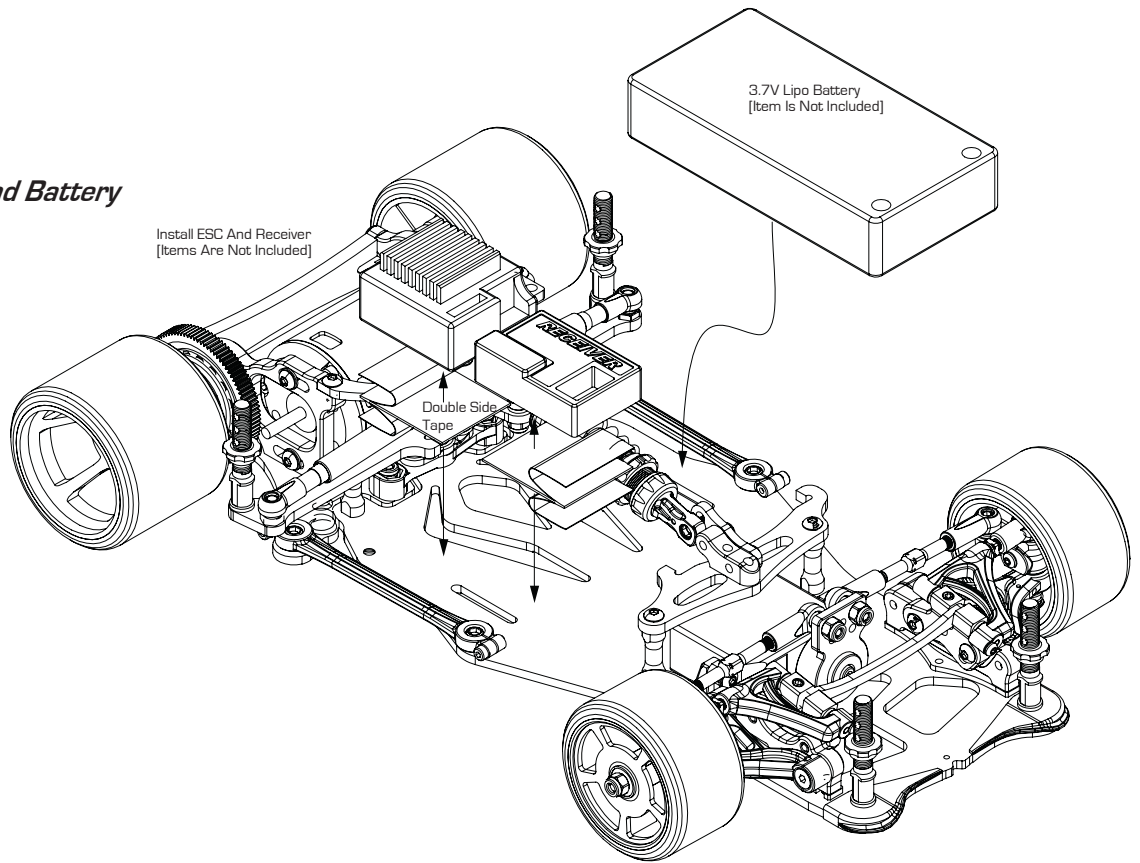
M3x6x0.5mm Spacer B-02-VBC-5093 x 4

M3x8 Roundhead

M3x6x0.5mm Spacer

12

Install Electronics And Battery



PARTS LIST



Order Number	Package Descriptions	Parts Number	Parts Descriptions
A-01-VBC-5001	Lightning12 Decals	A-01-VBC-5001	Lightning Decals
A-01-VBC-5002	Lightning12 2.5mm Graphite Main Chassis	A-01-VBC-5002	2.5mm Graphite Main Chassis
A-01-VBC-5003	Lightning12 Alum Shock Mount Brace	A-01-VBC-5003	Alum Shock Mount Brace
A-01-VBC-5004	Lightning12 Shock Mount Plate	A-01-VBC-5004	Shock Mount Plate
B-02-VBC-5005	Lightning12 17mm Aluminum Standoff	B-02-VBC-5005	17mm Aluminum Standoff
A-01-VBC-5006	Lightning12 Graphite Top Plate	A-01-VBC-5006	Graphite Top Plate
D-05-VBC-0101	Pivot Brace for Lightning/Assoc.R5 series	A-03-VBC-5007	Pivot Brace (bottom)
		A-03-VBC-5008	Pivot Brace (cover)
A-03-VBC-5009	Pod Link Set for Lightning/Assoc.R5 series	A-03-VBC-5009	Pod Link
A-03-VBC-1027	Pivot Balls for Lightning/Assoc.R5 series	A-03-VBC-1027	5mm Pivot Ball
D-05-VBC-0102	Body Posts for Lightning/Assoc.R5 series	A-03-VBC-5010	Body Post
		A-03-VBC-5011	Body Height Adjuster
B-02-VBC-0076	Body Clips	B-02-VBC-0076	Body Clips
B-02-VBC-5012	Alum Servo Mount for Lightning/Assoc.R5 series	B-02-VBC-5012	Aluminum Servo Mount
B-02-VBC-5013	Servo Spacer for Lightning/Assoc.R5 series	B-02-VBC-5013	Servo Spacer
B-02-VBC-5014	42mm Turnbuckle BK for Lightning/Assoc.R5 series	B-02-VBC-5014	42mm Turnbuckle, Black
B-02-VBC-5015	Ball Connector 4.7x12mm (5pcs)	B-02-VBC-5015	Ball Connector 4.7x12mm (5pcs)
A-03-VBC-5016	Turnbuckle Cup (Long)	A-03-VBC-5016	Turnbuckle Cup (Long)
B-03-VBC-5017	Servo Saver Set for Lightning/Assoc.R5 series	B-03-VBC-5017	Servo Saver Set
D-05-VBC-0103	Damper Tube Set for Lightning/Assoc.R5 series	B-02-VBC-5018	Damper Tube Shaft
		B-02-VBC-5019	Damper Tube
B-02-VBC-5020	4.7mm Ball Nuts	B-02-VBC-5020	4.7mm Ball Nuts
A-03-VBC-5021	Turnbuckle Cup (Short)	A-03-VBC-5021	Turnbuckle Cup (Short)
D-05-VBC-0104	TBX Center Shock Set for Lightning/Assoc.R5 series	B-02-VBC-5022	TBX Shock Cap
		B-02-VBC-5023	TBX Shock Body
		B-02-VBC-5024	TBX Spring Adjuster
		B-02-VBC-5025	TBX Shock Bottom Cap
		C-02-VBC-5026	Lightning TBX Shock Shaft
		A-02-VBC-5027	TBX Piston (2 Holes)
		A-02-VBC-5028	TBX Piston (3 Holes)
		A-02-VBC-5029	Shock O-ring Guard
		A-02-VBC-5030	Shock Bottom O-ring Guard
		A-02-VBC-5031	TBX Shock Thru Cap
		A-02-VBC-5032	TBX Spring Retainer
		B-02-VBC-5033	Shock Ball End
		C-02-VBC-5034	Lightning TBX Spring (Medium)
		C-02-VBC-5035	M1.5x10 O-ring
		C-02-VBC-5036	M1.0x7.5 O-ring
		C-02-VBC-5037	M2x6 O-ring
		A-03-VBC-1027	5mm Pivot Ball
		B-02-VBC-5015	Ball Connector 4.7x12mm (5pcs)
		C-02-VBC-5038	M1.5 E-Clip
D-05-VBC-0105	TBX Shock Body Set for Lightning/Assoc.R5 series	B-02-VBC-5022	TBX Shock Cap
		B-02-VBC-5023	TBX Shock Body
		B-02-VBC-5024	TBX Spring Adjuster
		B-02-VBC-5025	TBX Shock Bottom Cap
C-02-VBC-5026	TBX Shock Shaft for Lightning/Assoc.R5 series	C-02-VBC-5026	Lightning TBX Shock Shaft
D-05-VBC-0106	TBX Shocks Parts Set for Lightning/Assoc.R5 series	A-02-VBC-5027	TBX Piston (2 Holes)
		A-02-VBC-5028	TBX Piston (3 Holes)
		A-02-VBC-5029	Shock O-ring Guard
		A-02-VBC-5030	Shock Bottom O-ring Guard
D-05-VBC-0107	TBX Plastic Parts Set for Lightning/Assoc.R5 series	A-02-VBC-5031	TBX Shock Thru Cap
		A-02-VBC-5032	TBX Spring Retainer
		B-02-VBC-5033	Shock Ball End
C-02-VBC-5034	TBX Spring (Medium) for Lightning/Assoc.R5 series	C-02-VBC-5034	Lightning TBX Spring (Medium)
C-02-VBC-5035	M1.5x10 O-ring	C-02-VBC-5035	M1.5x10 O-ring
C-02-VBC-5036	M1.0x7.5 O-ring	C-02-VBC-5036	M1.0x7.5 O-ring
C-02-VBC-5037	M2x6 O-ring	C-02-VBC-5037	M2x6 O-ring
C-02-VBC-5038	M1.5 E-Clip	C-02-VBC-5038	M1.5 E-Clip
C-02-VBC-5042	Front Springs (Medium) for Lightning/Assoc.R5 series	C-02-VBC-5042	Front Springs (Medium) for Lightning 1/12
C-02-VBC-5044	Kingpin for Lightning/Assoc.R5 series	C-02-VBC-5044	Lightning12 Kingpin
A-01-VBC-5045	Lightning12 Height Adjust Spacer, 1.5mm	A-01-VBC-5045	Lightning12 Height Adjust Spacer, 1.5mm
A-01-VBC-5048	Lightning12 Front Upper Arm Spacer, 1.5mm	A-01-VBC-5048	Lightning12 Front Upper Arm Spacer, 1.5mm
A-02-VBC-5051	Front Upper Arm for Lightning/Assoc.R5 series	A-02-VBC-5051	Lightning12 Front Upper Arm
A-02-VBC-5052	Front Upper Arm Eyelet for Lightning/Assoc.R5 series	A-02-VBC-5052	Lightning12 Front Upper Arm Eyelet
A-02-VBC-5053	M3x15 Turnbuckle BK for Lightning/Assoc.R5 series	A-02-VBC-5053	M3x15 Turnbuckle, Black
C-02-VBC-5054	2mm Upper Pin for Lightning/Assoc.R5 series	C-02-VBC-5054	2mm Upper Hinge Pin
D-05-VBC-0110	Caster Spacer Set for Lightning/Assoc.R5 series	A-01-VBC-5055	Lightning12 Caster Spacer. 0.8mm
		A-01-VBC-5056	Lightning12 Caster Spacer. 1.2mm

PARTS LIST



Order Number	Package Descriptions	Parts Number	Parts Descriptions
B-02-VBC-5057	Aluminum Upper Arm Mount for Lightning/Assoc.R5 series	B-02-VBC-5057	Lightning12 Aluminum Upper Arm Mount
D-05-VBC-0111	Steering Knuckles for Lightning/Assoc.R5 series	A-02-VBC-5058	Lightning12 Steering Knuckle, Left
		A-02-VBC-5059	Lightning12 Steering Knuckle, Right
B-02-VBC-5060	Lightning12 Front Axles	B-02-VBC-5060	Lightning12 Front Axle
A-01-VBC-5061	Graphite Hinge Brace 55mm for Lightning/Assoc.R5 series	A-01-VBC-5061	Graphite Hinge Pin Brace, 55mm
B-02-VBC-5065	Alum Front Bulkhead L for Lightning/Assoc.R5 series	B-02-VBC-5065	Lightning12 Alum Front Bulkhead, Left
B-02-VBC-5066	Alum Front Bulkhead R for Lightning/Assoc.R5 series	B-02-VBC-5066	Lightning12 Alum Front Bulkhead, Right
A-02-VBC-5067	Front Lower Arm for Lightning/Assoc.R5 series	A-02-VBC-5067	Lightning12 Front Lower Arm
B-02-VBC-5068	Pivot Ball for Lightning/Assoc.R5 series	B-02-VBC-5068	Pivot Ball
C-02-VBC-5069	King Pin Shim, M3.3x0.4 for Lightning/Assoc.R5 series	C-02-VBC-5069	Lightning12 King Pin Shim, M3.3x0.4 (20pcs)
D-05-VBC-0112	Lightning12 Plastic Front Bumper	A-02-VBC-5070	Lightning12 Plastic Front Bumper, Left
		A-02-VBC-5071	Lightning12 Plastic Front Bumper, Right
A-01-VBC-5072	Lightning12 Graphite Chassis Brace	A-01-VBC-5072	Lightning12 Graphite Chassis Brace
A-03-VBC-1047	Side Spring Set for Lightning/Assoc.R5 series	A-03-VBC-1047	Side Spring (Soft)
		A-03-VBC-1047	Side Spring (Medium)
		A-03-VBC-1047	Side Spring (Hard)
B-02-VBC-5073	14mm Aluminum Standoff	B-02-VBC-5073	14mm Aluminum Standoff
B-02-VBC-5074	Alum Side Spring Retainer for Lightning/Assoc.R5 series	B-02-VBC-5074	Aluminum Side Spring Retainer
D-05-VBC-0113	Ball Differential Complete Set for Lightning/Assoc.R5 series	C-02-BB-3814F	Bearing, 3/8 x 1/4, Flanged
		C-02-BB-3814	Bearing, 3/8 x 1/4
		A-02-VBC-5075	M4 Nylon Nuts
		C-02-VBC-5076	Bevelled Washer
		C-02-VBC-5077	Xenon 64 Pitch 93T Spur Gear
		B-02-VBC-5078	Carbon Rear Axle
		B-02-VBC-5079	Aluminum Wheel Hub, Left
		C-02-SC-R2508	M2.5x8mm Cap Head Screw
		B-02-VBC-5080	Aluminum Diff Hub
		B-02-VBC-5081	Thrust Cone
		C-02-DB-0801	1/8" Ceramic Diff Balls
		B-02-VBC-1001	D-Drive Ring
		B-02-VBC-5082	Diff Seal O-ring
		A-02-VBC-5075	M4 Nylon Nuts for Lightning/Assoc.R5 series
C-02-VBC-5076	Bevelled Washer	C-02-VBC-5076	Belleville Washer
C-02-VBC-5077	64 Pitch 93T Spur Gear for Lightning/Assoc.R5 series	C-02-VBC-5077	64 Pitch 93T Spur Gear
B-02-VBC-5078	Carbon Rear Axle for Lightning/Assoc.R5 series	B-02-VBC-5078	Lightning12 Carbon Rear Axle
B-02-VBC-5079	Alum Wheel Hub L for Lightning/Assoc.R5 series	B-02-VBC-5079	Lightning12 Aluminum Wheel Hub, Left
B-02-VBC-5080	Alum Diff Hub for Lightning/Assoc.R5 series	B-02-VBC-5080	Lightning12 Aluminum Diff Hub
B-02-VBC-5081	Thrust Cone for Lightning/Assoc.R5 series	B-02-VBC-5081	Thrust Cone
C-02-DB-0801	1/8" Ceramic Diff Balls for Lightning/Assoc.R5 series	C-02-DB-0801	1/8" Ceramic Diff Balls
B-02-VBC-1001	Diff Drive Ring for Lightning/Assoc.R5 series	B-02-VBC-1001	Diff Drive Ring
B-02-VBC-5082	Diff Seal O-ring	B-02-VBC-5082	Diff Seal O-ring
A-01-VBC-5083	Lightning12 Graphite Lower Pod Plate	A-01-VBC-5083	Lightning12 Graphite Lower Pod Plate
A-01-VBC-5084	Lightning12 Graphite Upper Pod Plate	A-01-VBC-5084	Lightning12 Graphite Upper Pod Plate
C-02-BB-1856F	Bearing 1/8 x 5/16, Flanged for Lightning/Assoc.R5 series	C-02-BB-1856F	Bearing 1/8 x 5/16, Flanged
C-02-BB-3814	Bearing, 3/8 x 1/4 for Lightning/Assoc.R5 series	C-02-BB-3814	Bearing, 3/8 x 1/4
C-02-BB-3814F	Bearing, 3/8 x 1/4, Flanged for Lightning/Assoc.R5 series	C-02-BB-3814F	Bearing, 3/8 x 1/4, Flanged
D-05-VBC-0114	Lightning12 Axle Height Adjuster	A-02-VBC-5085	Axle Height Adjuster, #1
		A-02-VBC-5086	Axle Height Adjuster, #2
		A-02-VBC-5087	Axle Height Adjuster, #3
		A-02-VBC-5088	Axle Height Adjuster, #4
B-02-VBC-5089	Lightning12 Aluminum Right Bulkhead	B-02-VBC-5089	Lightning12 Aluminum Right Bulkhead
B-02-VBC-5090	Lightning12 Aluminum Left Bulkhead	B-02-VBC-5090	Lightning12 Aluminum Left Bulkhead
A-01-VBC-5091	Lightning12 Graphite Motor Mount Brace	A-01-VBC-5091	Lightning12 Graphite Motor Mount Brace
A-02-VBC-5092	Ball Connector 4.7x17mm	A-02-VBC-5092	Ball Connector 4.7x17mm
B-02-VBC-0019-20	3x5.5x2 Alum Spacer	B-02-VBC-0019-20	3x5.5x2 Alum Spacer
B-02-VBC-0019-10	3x5.5x1 Alum Spacer	B-02-VBC-0019-10	3x5.5x1 Alum Spacer
C-02-SC-C0440	4-40x5/16" Cap Head Screw	C-02-SC-C0440	4-40x5/16" Cap Head Screw
C-02-SC-R2504	M2.5x4mm Roundhead Screw	C-02-SC-R2504	M2.5x4mm Roundhead Screw
C-02-SC-R2508	M2.5x8mm Cap Head Screw	C-02-SC-R2508	M2.5x8mm Cap Head Screw
C-02-SC-R2.0x6	M2.0x6mm Cap Head Screw	C-02-SC-R2.0x6	M2.0x6mm Cap Head Screw
C-02-SC-R2.0x8	M2.0x8mm Cap Head Screw	C-02-SC-R2.0x8	M2.0x8mm Cap Head Screw
C-02-SC-R0204	M2x4mm Roundhead Screw	C-02-SC-R0204	M2x4mm Roundhead Screw
C-02-SC-NN03	M3 Locknut	C-02-SC-NN03	M3 Locknut
B-02-VBC-5093	M3x6x0.5 Spacer	B-02-VBC-5093	M3x6x0.5 Spacer
C-02-SC-F0310	M3x10mm Flathead Screw	C-02-SC-F0310	M3x10mm Flathead Screw
C-02-SC-R0310	M3x10mm Roundhead Screw	C-02-SC-R0310	M3x10mm Roundhead Screw
C-02-SC-F0312	M3x12mm Flathead Screw	C-02-SC-F0312	M3x12mm Flathead Screw
C-02-SC-F0306	M3x6mm Flathead Screw	C-02-SC-F0306	M3x6mm Flathead Screw
C-02-SC-R0306	M3x6mm Roundhead Screw	C-02-SC-R0306	M3x6mm Roundhead Screw
C-02-SC-F0308	M3x8mm Flathead Screw	C-02-SC-F0308	M3x8mm Flathead Screw
C-02-SC-R0308	M3x8mm Roundhead Screw	C-02-SC-R0308	M3x8mm Roundhead Screw
C-02-SC-SS-0308	M3x8mm Set Screw	C-02-SC-SS-0308	M3x8mm Set Screw

vbc racing
www.vbcrcing.com



COMPETITION GRADE HIGH PERFORMANCE RADIO CONTROL RACING CAR CHASSIS KIT

LIGHTNING12

1/12 SCALE ELECTRIC COMPETITION CAR KIT

Instruction Book P-0005.0 VBC Racing Lightning12 Car Kit D-05-VBC-CK02